

Ulpaflow Horizontal Laminar Flow with Touch Screen System



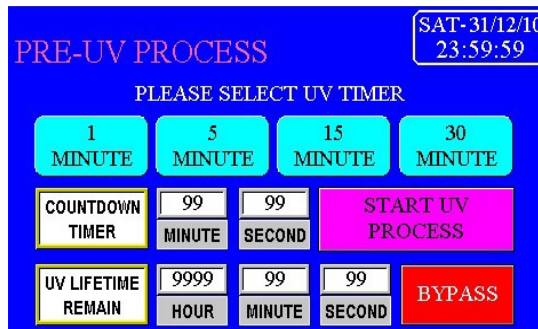
- SASTEC Laminar Flow Clean Bench is a made-in Malaysia product with advanced technologies features. They are superior to most other established brands available in Malaysia. The Clean Bench has been tested for safety and performance accordance to Australian Standard AS 2243-8. All materials used are suitable for operation in a cleanroom environment.
- Thus enable the activation of UV light function to sterilize the work surface.
- The UV function will be disconnected when the sash is being lifted and the motor blower will resume the normal function.
- **Product certified by MIDA & JKPDNKK as "Buatan Malaysia".**
- **Compliance to IEST-RP-CC034-1 in accordance with EN1822. Ulpafilters tested to a typical efficiency of >99.9995% for 0.3 or larger particles.**
- The components of the Laminar Flow Clean Bench have CE Marking, UKAS registration ISO 9001:2008
- Typical life span of ULPA filter is well over 3 years subjected to operation environment.
- Filter is mounted and protected by aluminium frame work with gasket to provide leak-free condition.
- UV safe Polycarbonate window on both sides provides maximum chemical resistance and enhances durability for a long service life. Digital touch screen controller for the power, air flow speed, UV and fluorescent light.
- Electronic ballast featured lamp provides excellent lighting inside the working chamber. Lamps are located at the top front, away from eye contact with the operator.
- Auto Sash, Powder Coating Anti Bacteria and Safety Cut off UV
- Work top constructed with AISI 304 stainless steel, chip and rust free.
- Two electrical sockets, gas tap and support stand are standard features.
- 12 months warranty period against manufacturer's defect on non-consumable parts.
- Supply with test report.
- Live Airflow Monitoring
- Active Touch Control System (PLC)

Specification of Ulpaflow Horizontal Laminar Flow with Touch Screen System					
Model	ST-3HD	ST-4HD	ST-5HD	ST-6HD	
Power (W)	120W	120W	120W	120W x 2	
Voltage	220V 50Hz				
Vibration	< 3um	< 3 um	< 3 um	< 3 um	
Noise Level	< 56.5 dB(A)	< 56.5 dBa	< 60dB(A)	< 60dB(A)	
Control System	Touch Screen				
Fluorescent Light	Intensity >1680 Lux				
Overall Dimension (W x D x H) mm	1000W x 757D x 1200H	1330W x 757D x 1200H	1620W x 757D x 1200H	1920W x 757D x 1200H	
Working Zone (W x D xH) mm	970W x 523D x 612H	1300W x 523D x 612H	1580W x 523D x 612H	1880W x 523D x 612H	
Weight	120 kg	145 kg	180 kg	210 kg	
Construction	Cabinet	Powder Coated E.G Steel			
	Sash	UV Safe Polycarbonate			
	Work Base	Stainless Steel AISI 304			
Touch Screen Operating Panel	Security	User Password			
	Pre-UV Timer	Selectable Timer			
	Air Select Speed	2 Steps			
	ULPA Filter 6,000 Hours	Count Down Hour			
	UV Light 2,000 Hours	Count Down Hour			
	Real Time and Date	Yes			
	UV & Filter Change Remain Indicator	Yes			
	Filter	Main Filter	ULPA		
Filter Efficiency		99.9995% (0.1um-0.2um)			
Pre-Filter		Washable			
Arrestance		80-85%			
Air Flow System	Step 1	0.3±0.05 m/s			
	Step 2	0.4 ±0.05 m/s			
	Step 3	0.5 ±0.05 m/s			
	Inside Volume of Working Space	0.275 m3	0.415 m3	0.510 m3	0.607 m3
	Volume of Treated Air per hour	739 m3/hour	1070 m3/hour	1318 m3/hour	1581 m3/hour

Control Panel Touch Screen



Ulpaflow Main Functions



Pre-UV Timer Functions

Sensor



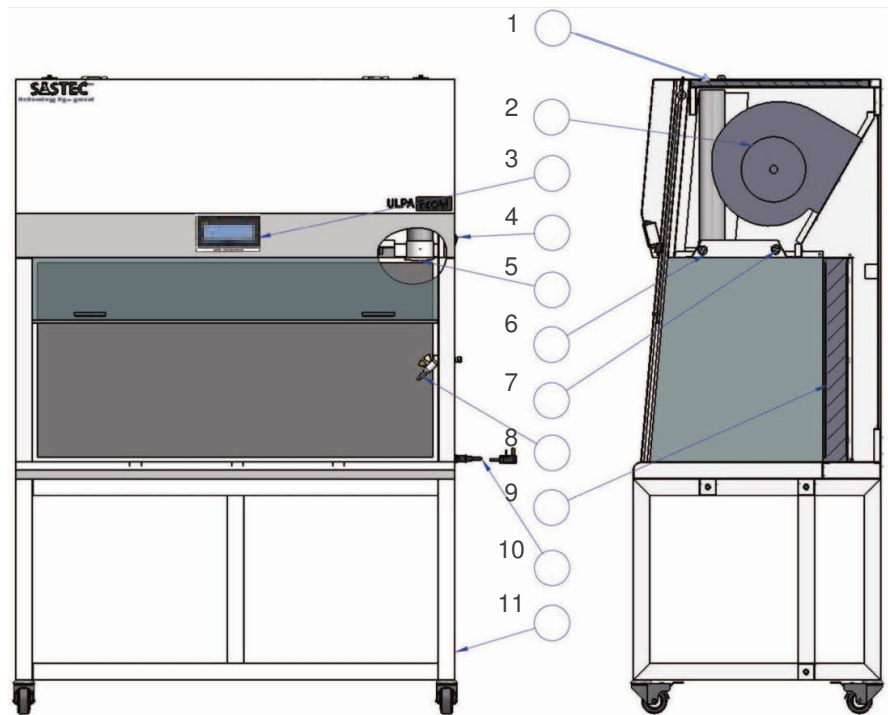
Infrared Sensor



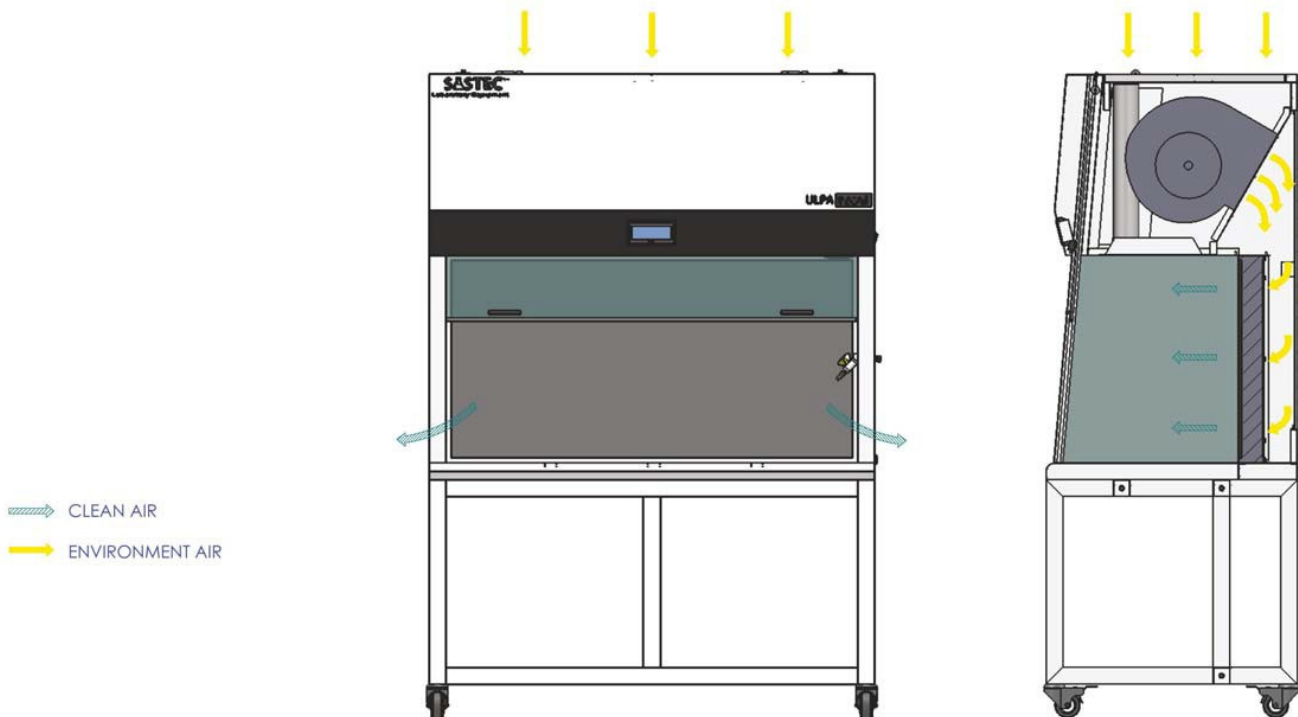
Airflow Sensor

Technical Drawing

- ① PRE FILTER
- ② BLOWER
- ③ MEMBRANE TOUCH PAD
- ④ ON/OFF SWITCH
- ⑤ SOCKET OUTLET 2 GANGS
- ⑥ FLUORESCENT LIGHT
- ⑦ GERMICIDAL LAMP
- ⑧ GAS TAP
- ⑨ ULPA FILTER
- ⑩ POWER CORD
- ⑪ FRAME C/W CASTER WHEEL



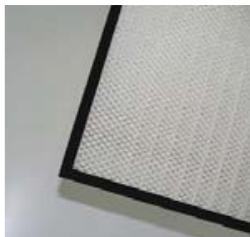
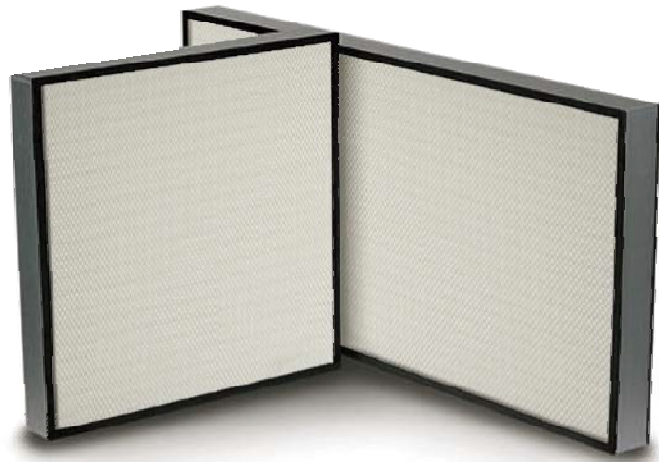
Air Flow Diagram



Filtration Efficiency

ULPAFlow Mini-Pleat Filter

- Mini-pleat design lowers operating costs
- Lightweight and compact
- Low off-gassing components
- Wide range of efficiencies
- Leak and/or scan tested



Neoprene Gasket

The Gasket seal frame is designed for use in clean benches

ULPA filters specially designed to meet the demanding airflow and particulate control requirements of cleanroom applications. It is available with knifeedge or gasket seal frames for installation in any type of grid system or frame.

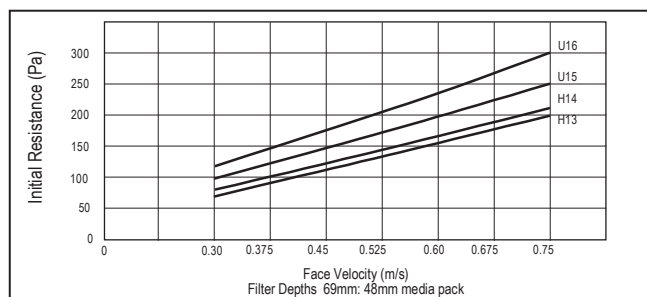
meeting the classifications ranging from H13 to U17 in accordance with EN1822

ULPAFlow Mini-Pleat Filter are designed for use in cleanrooms, clean benches, semiconductor, pharmaceutical, biotech, food processing, and other industries in which airborne contaminants must be carefully controlled.

The mini-pleat design combines maximum efficiency with low pressure drop, thus reducing operating costs.

Special thermoplastic heads are used to maintain equal spacing between pleats for optimal airflow, resulting in high dust holding capacity and full use of the entire depth of the filter.

Initial Resistance vs Face Velocity



All ULPA filters are leak tested and ULPA filters are scanned with a laser spectrometer with PSL particles to determine the overall efficiency in accordance with IES-RP-CCO34-1.