



Flake ice maker "IMS" 40 and "IMS" 85

"IMS" 40 MODEL: PRODUCTION 40 kg-24 HOURS.

"IMS" 85 MODEL: PRODUCTION 85 kg-24 HOURS.



NEW

APPLICATIONS

For preservation and storage of analytic samples, biological tissues, cellular cultures and other applications that require maintenance of the temperature below ambient.

FEATURES

External case made of AISI 304 stainless steel.

Thermal isolated inside.

High capacity for flake ice production from running or purified water.

Water pressure between 1,5 and 3 bars.

Automatic switch off when there's water shortage and when the ice tank capacity is full.

CONTROL PANEL

Main power switch.

Luminous indicator for: Flake ice production.

Water shortage.

Ice tank full.



MODELS	Part no.	24 h. (Kg) Production	Tank Capacity (Kg)	Height / Width / Depth cm	Power W	Weight Kg
IMS-40	5020100	40	8	72 38 54	280	40
IMS-85	5020101	85	13	88 55 61	420	57

STRUCTURE:

Frontal panel

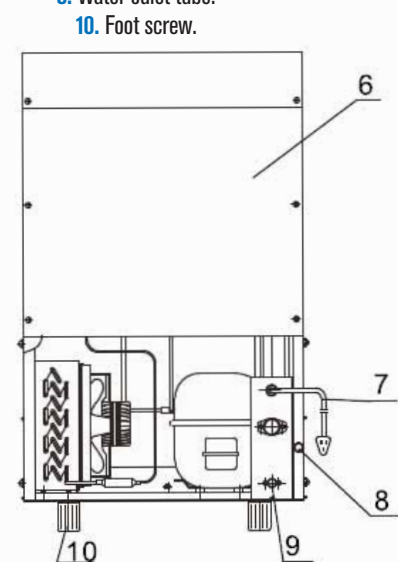
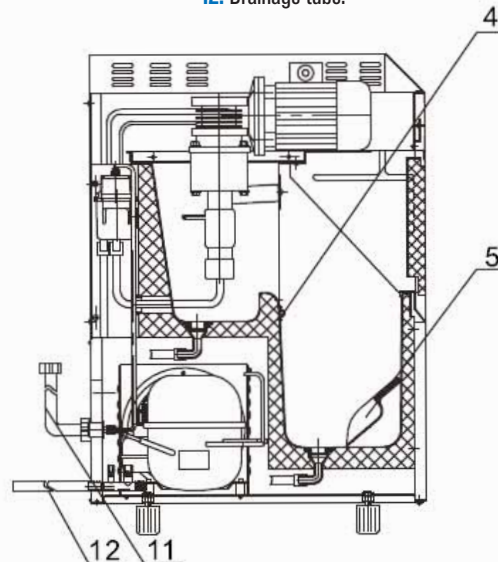
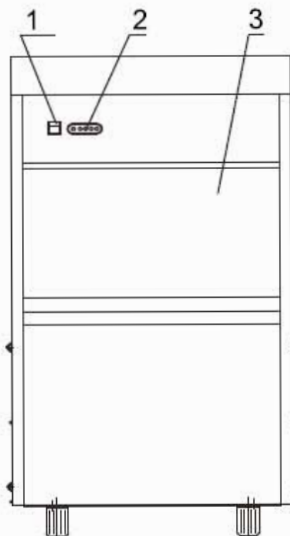
1. Switch.
2. Operation board.
3. Door.

Lateral panel

4. Temperature sensor.
5. Ice shovel.
11. Water inlet tube.
12. Drainage tube.

Back panel

6. Back panel.
7. Power cable.
8. Screw for drainage.
9. Water outlet tube.
10. Foot screw.



COMPLEMENT "ICE BUCKET"

See page 185