



## Poupinel dry heat sterilizer "Drytime"

ADJUSTABLE TEMPERATURES FROM 100 °C UP TO 250 °C.  
STABILITY:  $\pm 6$  °C.

### APPLICATIONS

For quick surgical sterilization of diverse instruments surgical odontological, etc.

### FEATURES

Heating by shielded elements in the base which provide a rapid temperature rise.  
Flap door.  
Inner chamber in AISI 304 stainless steel.  
Removable tank with extraction clamps.  
Epoxy-coated outer casing.

### SAFETY

Over temperature cut out incorporated. EN.61010 Standard.

### CONTROL PANEL

Mains switch.  
Mains indicator lamp.  
Hydraulic thermostat for temperature control.  
Timer 0 to 120 min. with automatic off.  
Analogue temperature reading thermometer.



### MODEL

| Part No. | Capacity litres | Height / Width / Depth (interior) cm | Height / Width / Depth (exterior) cm | Power W | Weight Kg |
|----------|-----------------|--------------------------------------|--------------------------------------|---------|-----------|
| 2000911  | 2.5             | 5 30 16                              | 17 40 32                             | 430     | 8         |



## Poupinel dry heat sterilizer "Dryterm"

ADJUSTABLE TEMPERATURES FROM 60 °C UP TO 250 °C.  
STABILITY:  $\pm 10$  °C.

### APPLICATIONS

For surgical sterilization of diverse instruments surgical odontological, etc.

### FEATURES

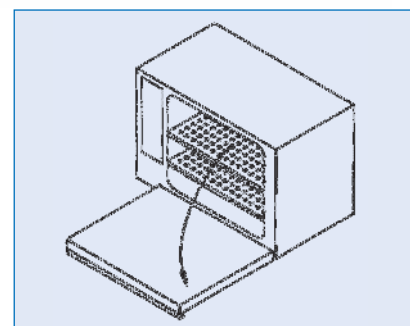
Heating by shielded elements in the base that provides a rapid rise in temperature.  
Flap door.  
Inner chamber made of AISI 304 stainless steel, complete with a heater cover, three shelf runners and two perforated shelves 10 mm high.  
Epoxy-coated outer casing.

### SAFETY

Over temperature cut out incorporated. EN.61010 Standard.

### CONTROL PANEL

Hydraulic thermostat temperature control.  
Locking device for thermostat knob.  
Timer 0 to 120 min. with automatic switch off.  
Heater "ON" indicator.  
Analogue temperature reading thermometer.



### MODEL

| Part No. | Capacity litres | Height / Width / Depth (interior) cm | Height / Width / Depth (exterior) cm | Power W | Weight Kg |
|----------|-----------------|--------------------------------------|--------------------------------------|---------|-----------|
| 2000787  | 19              | 25 32 23                             | 37 54 34                             | 770     | 19        |